

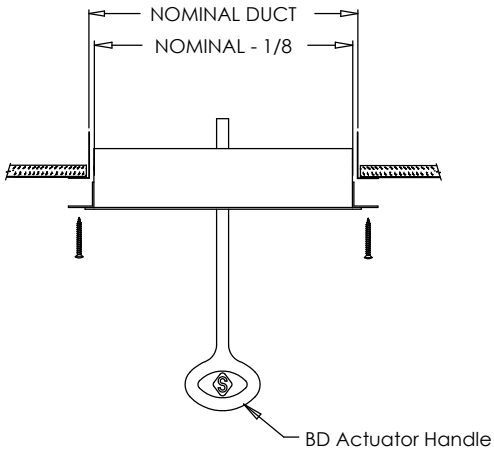
**91 Series
Round Damper**

Standard:

- Field installable Bowtie Damper with round ring
- Available in sizes 6, 8, 10, 12 & 14"
- Mill finish

Optional:

- Tamper Proof Screws
 - "E" One Way
 - "F" Torx Center Pin
 - "G" Hex Center Pin

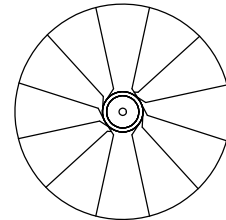


91

BD

Open

Closed



PROJECT	SUBMITTAL REVIEW
LOCATION	
ENGINEER	
ARCHITECT	
CONTRACTOR	