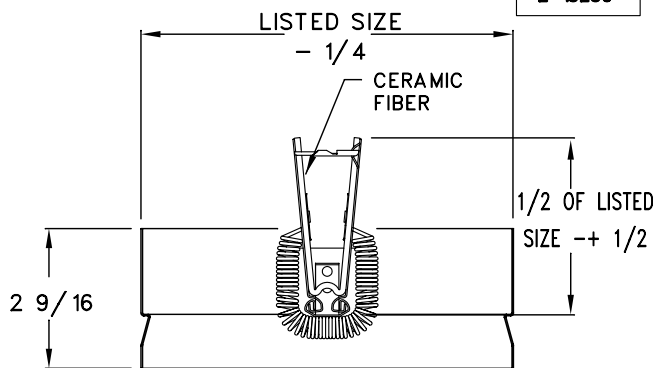


2750 Series
2751 Series
T-Bar Ceiling Radiation
Butterfly Damper With U.L.
Fire Resistance Classification
Standard:

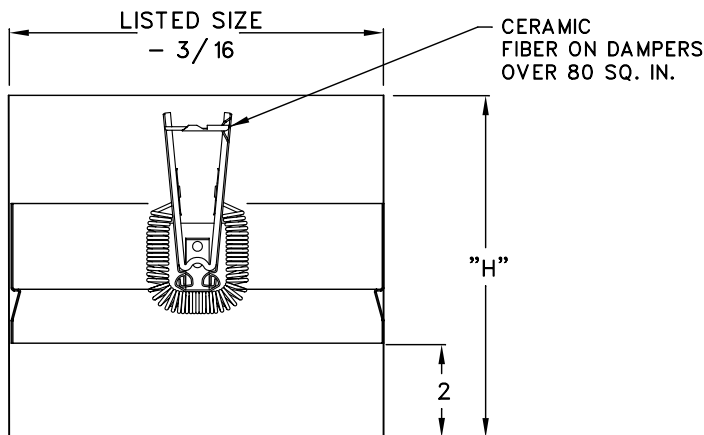
- U.L. & California State Fire Marshall approved For T-Bar ceilings
- zinc plated steel closure spring
- All steel parts with galvanized finish or zinc coating
- Fusible link 165° F
- 22 Ga. butterfly style Galvanized steel blades with thermal ceramic fiber on dampers over 80 sq inches
- 22 Ga. galvanized steel roll-formed frame
- Maximum diameter 24", minimum diameter 5"

Optional:

- 2751 3 hour Ceiling Radiation Butterfly Damper with extended sleeve



2750 SERIES ROUND



2751 SERIES ROUND
EXTENDED SLEEVE

#2751

Extended Sleeve height	
Damper Size	Height (H)
6-10"	8"
12-14"	10"
15-18"	12"
20-22"	14"
24"	15"

PROJECT	SUBMITTAL REVIEW
LOCATION	
ENGINEER	
ARCHITECT	
CONTRACTOR	