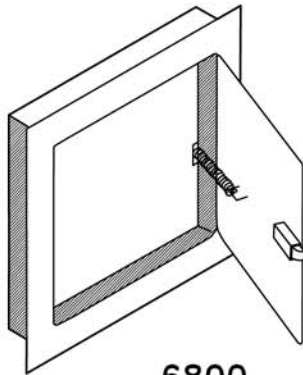


**6800 Series
 Fire Rated Wall Access Door
 Standard:**

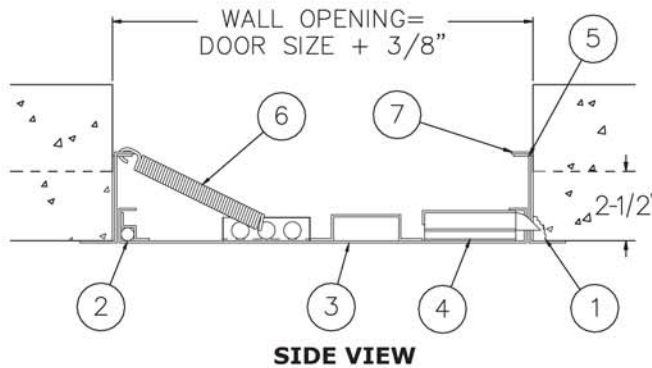
- UL approved for 1-1/2 hours
- 16 gauge galvanized steel construction on both door (3) and frame (7)
- Door has a heavy duty spring closure (6) for positive latching when panel closes
- Exterior recessed latch is operated using a ring attached to the sliding bolt (4)
- Masonry anchors and bolt holes on frame for installation in all kinds of wall construction
- Concealed hinge (2)
- Prime coat finish



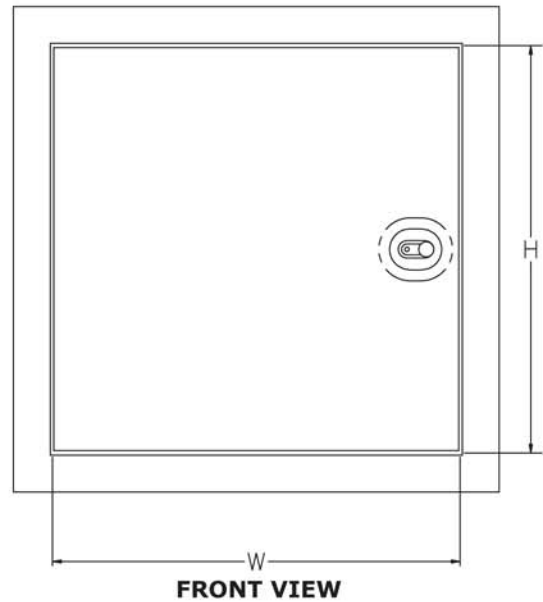
6800

Optional

-
- Stainless Steel (6700-SS)



SIDE VIEW



FRONT VIEW

Print Form

PROJECT	SUBMITTAL REVIEW
LOCATION	
ENGINEER	
ARCHITECT	
CONTRACTOR	