

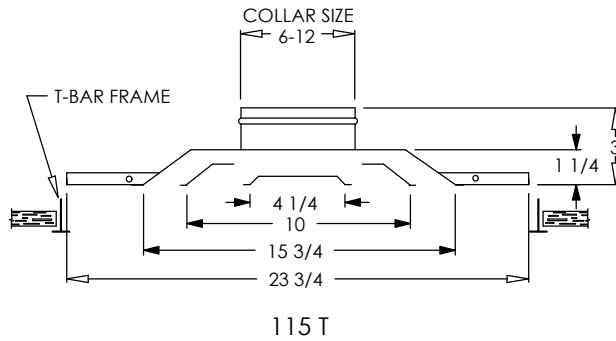
115T Series Flush T-Bar Step Down Diffuser

Standard

- 4 way step down steel diffuser
- Square to round No Labor Collar, 6"-12" Round
- 2 x 2 22 gauge galvaneal steel panel with seismic support holes
- Soft White

Optional

- TVB- Thermal Vapor Blanket: 1" thick 2 x 2 foil faced self adhesive insulation blanket



PROJECT

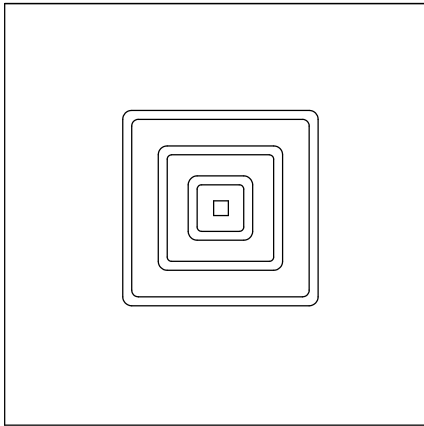
SUBMITTAL REVIEW

LOCATION

ENGINEER

ARCHITECT

CONTRACTOR



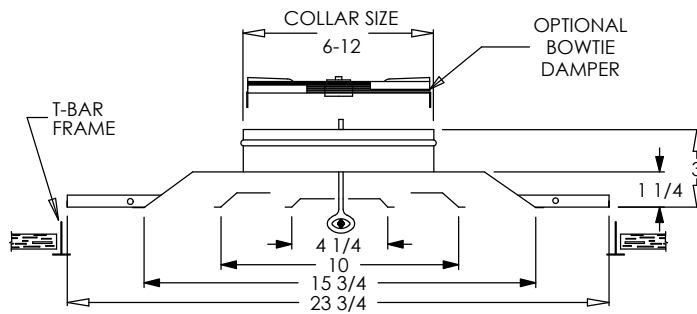
116T Series Flush T-Bar Step Down Diffuser

Standard

- 4 way step down steel diffuser
- Square to round No Labor Collar, 6"-12" Round
- 2 x 2 galvaneal steel panel with seismic support holes
- Hole in face for optional damper adjustment (BD Series)
- Soft White

Optional

- TVB- Thermal Vapor Blanket: 1" thick 2 x 2 foil faced self adhesive insulation blanket



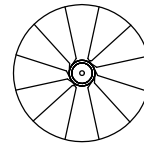
116 T

BD

Open



Closed



PROJECT	SUBMITTAL REVIEW
LOCATION	
ENGINEER	
ARCHITECT	
CONTRACTOR	