

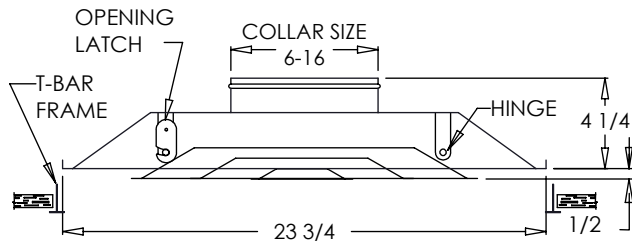
### HVD Series T-Bar High Volume Diffuser

#### Standard:

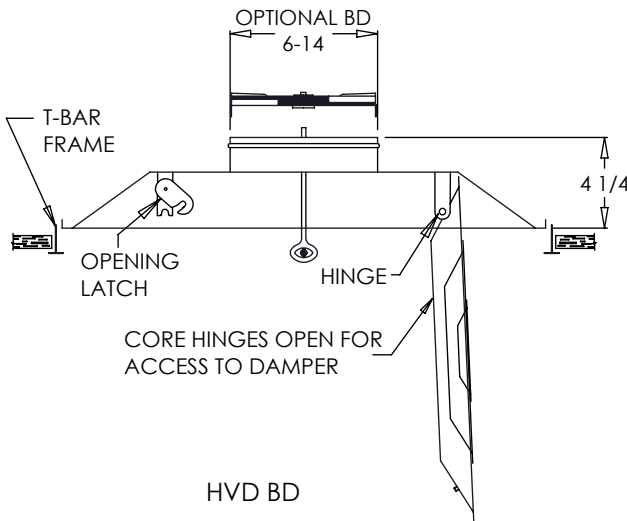
- Galvaneal steel face designed for high volume air delivery
- 360° air diffusion
- Hinged down core for easy access
- No Labor collar
- Seismic support holes
- Collar sizes 6", 7", 8", 9", 10", 12", 14", & 16"

#### Optional:

- Field installable Bowtie Damper (BD)
- Factory installed Opposed Radial Damper sizes 6"-14" (HVD-OR)
- Square Collar
- TVB -Thermal Vapor Blanket: 1" thick 2x2 foil faced self adhesive insulation blanket
- HVD-ADJ - Adjustable vertical baffles to restrict airflow through cores



HVD



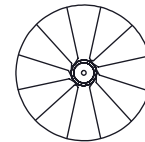
HVD BD

BD

Open



Closed



PROJECT	SUBMITTAL REVIEW
LOCATION	
ENGINEER	
ARCHITECT	
CONTRACTOR	